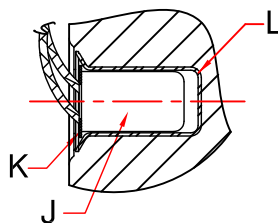
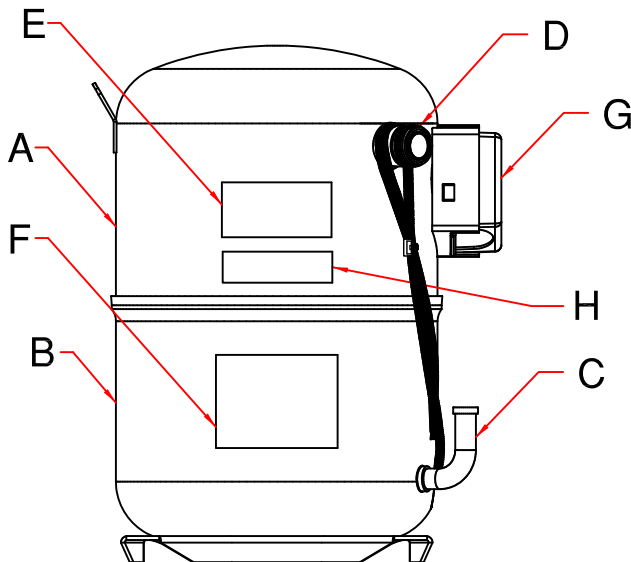
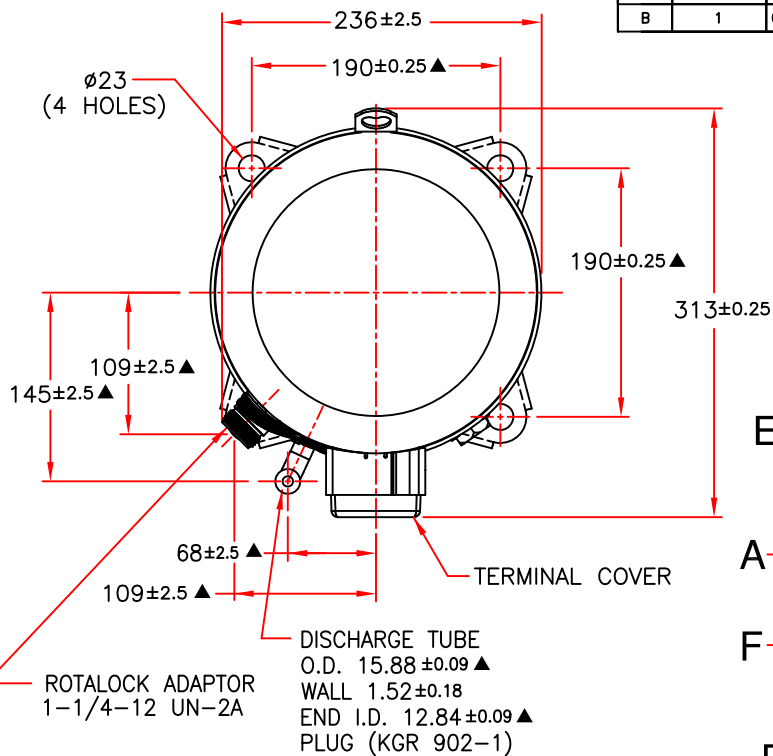
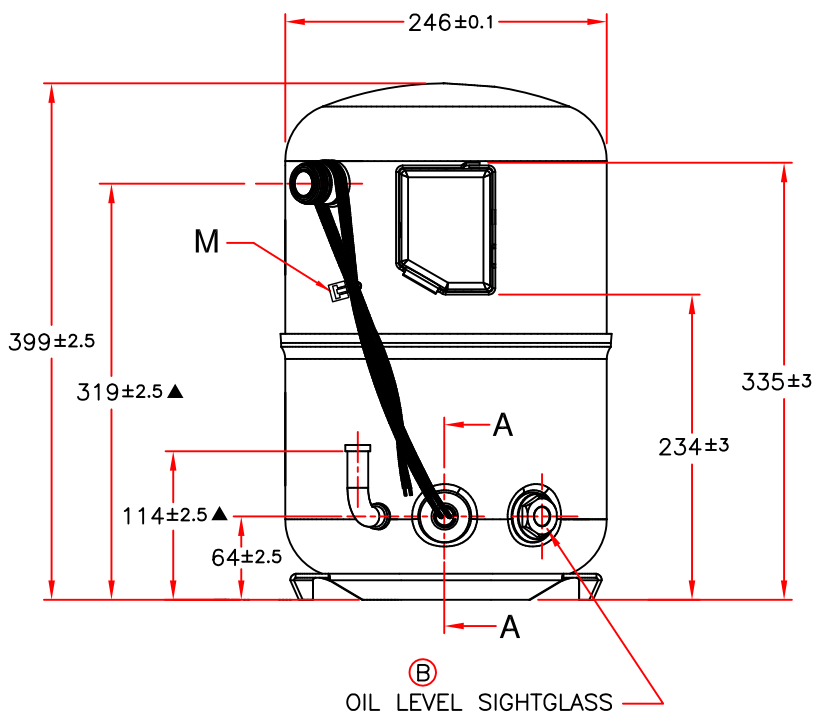


| ISSUE | REFERENCE | DATE | DETAIL OF CHANGE | C/N No. | CHKD |
|-------|-----------|----------|---|---------|--------|
| A | | 25-05-10 | RELEASED NEW DRAWING | 0256/10 | T.MANA |
| B | 1 | 08-06-12 | ADDED ADAPTOR & WAS SIGHT GLASS KKT 248-1 | 0278/12 | T.MANA |



SECTION A-A

| QA SYMBOLS | |
|------------|---------------|
| ▲ | 1 ST CRITICAL |
| ■ | 2 ND CRITICAL |
| ★ | 3 RD CRITICAL |



| ITEM | KK P/No. | DESCRIPTION |
|------|-------------|---------------------------|
| M | KCE 354-1 | TIE-WIRE 2.5 MM. |
| L | KWB 329-1 | CRANKCASE HEATER TUBE |
| K | KWB 359 | RING RETAINER HEATER WELL |
| J | KGE 659 | PTC HEATER |
| H | KEP 881-B | OIL LABEL |
| G | KLD 901 | TERMINAL COVER |
| F | KWP 880-1 | WARNING STICKER |
| E | KKP 885Z-24 | SERIAL PLATE LABEL |
| D | KKT 247-3 | ROTALOCK ADAPTOR |
| C | KKT 231-1 | DISCHARGE TUBE |
| B | KKH 431-2 | LOWER HOUSING ASSY |
| A | KKH 435-3 | UPPER HOUSING ASSY |

MANUFACTURING NOTES

- SEE DWG. KKH 431-2 FOR ASSY. OF DISCHARGE CONNECTOR & LOWER SHOCK LOOP IN LOWER HOUSING

NOTE.

- IF SPECIFIED ON BILL OF MATERIAL ASSEMBLE THESE PARTS AS SHOWN.

| | | | | | | | | | |
|---|----------|----------------------|--|---|--------|--------------------------|----|-------------|--------------------------|
| UNLESS OTHERWISE SPECIFIED 1.AMERICAN PROJECTION (3rd ANGLE) 2.DIMENSIONS MM. 3.GENERAL TOLERANCES. WHOLE NUMBER ----- ±2.5 DECIMALS. ----- ±1.0 ANGLES ±30 MINUTES. COMMERCIAL TOLERANCES APPLY FOR GAUGE TUBING AND BAR STOCK. 4.ALL CASTINGS TO BE SUPPLIED FREE FROM FLASH AND POROSITY. 5.SURFACE FINISHES SPECIFIED IN MICRO INCHES MAXIMUM 200 UNLESS NOTED. | DETAILED | MATERIAL :- | | KULTHORN KIRBY PUBLIC COMPANY LIMITED 126 LADKRABANG INDUSTRIAL ESTATE BANGKOK 10520 TITLE :- MOTOR COMPRESSOR | | | | | |
| | DRAWN | K.WIRAT | REF. TABLE | | | | | | |
| | CHECKED | T.MANA | FINISH REF. NOTE | | | | | | |
| | APPROVED | C.CHARUWAT | QTY. | | | 1/ASSY | | | |
| | DATE | 08-06-12 | PART No. | | | KA 5572ZXG BOM ID 060 | | | |
| SCALE | 1 : 6 | INTERNAL USE ONLY :- | | SHEET OF | 1 1 | SHEET SIZE | A4 | DRAWING No. | KA 5572ZXG BOM ID 060 |
| REMOVE BURRS AND SHARP CORNERS | | | @SRV\KQMAN\LDS\DRAWING\DRAWING CAD\KA 5572ZXG ID 072.DWG | | | | | | |